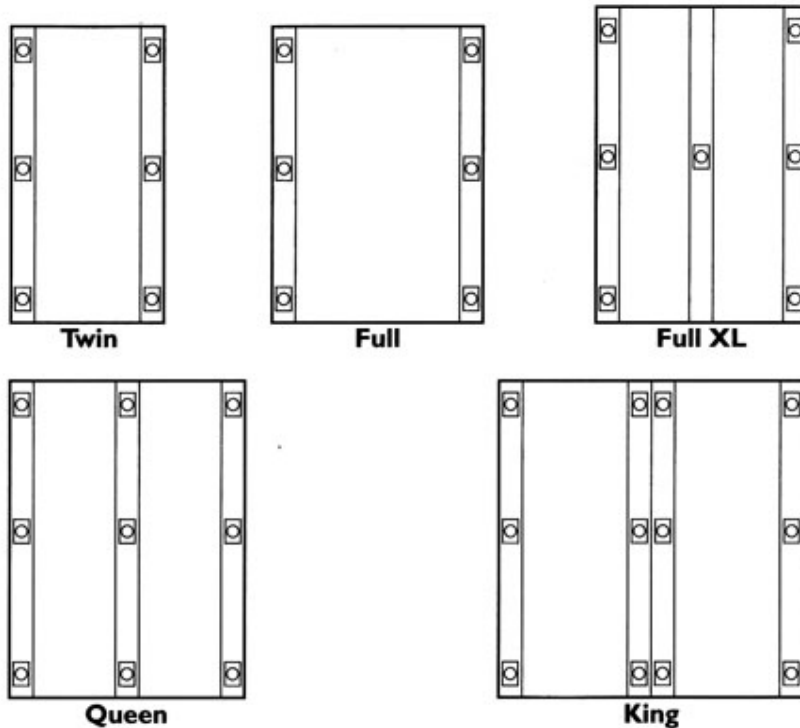


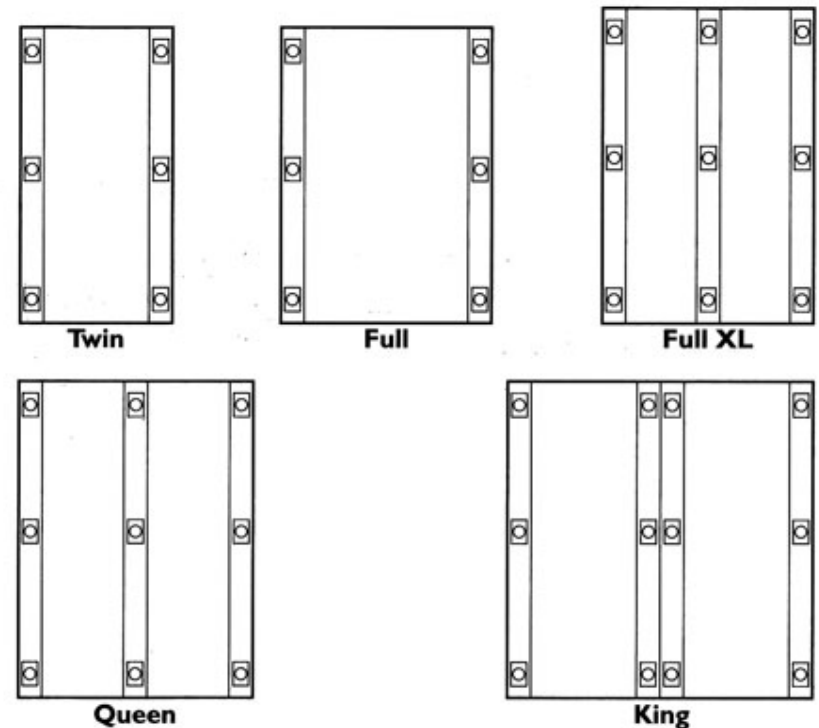
# Installation instructions for baseplate and Bedleg placement with special configuration for Full XL bed size

## Leg Placement of 3-, 5-, and 7-inch Bedlegs



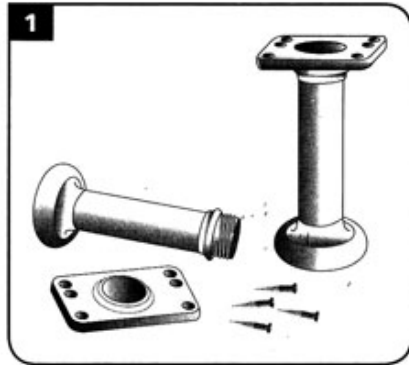
A full XL, using 3-, 5-, and 7-inch Bedlegs, uses the same configuration as Queen size, using three (3) Bedlegs attached to the center rail for proper installation.

## Leg Placement of 10-inch Bedlegs

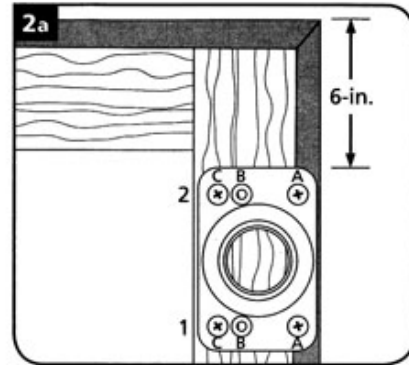


A full XL, using 10-inch Bedlegs, always uses the same configuration as Queen size, using three (3) Bedlegs attached to the center rail for proper installation.

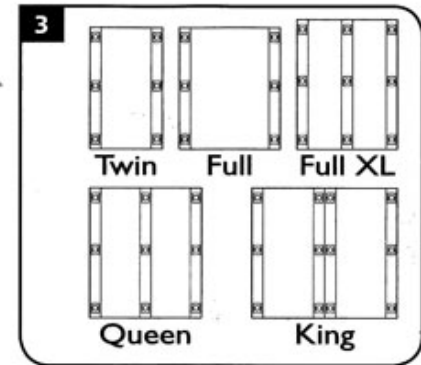
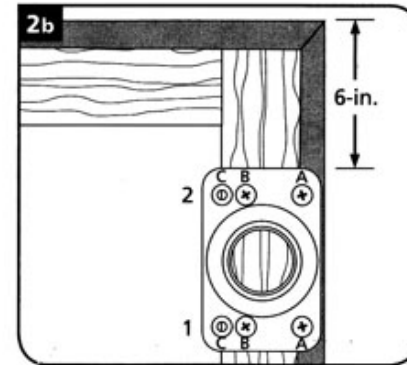
# Bedleg and Bracket Installation Instructions



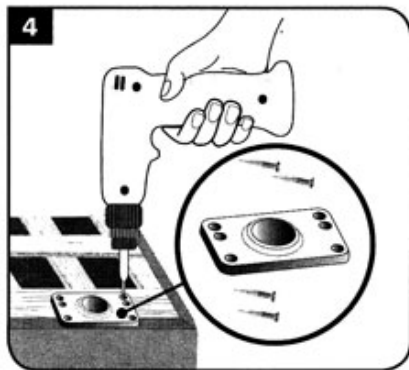
**IMPORTANT:** Verify that your side rails meet the minimum requirements of a width of no less than 2 1/4". We recommend the box spring side and center rails be of high quality kiln dried wood of 1" x 4" (actual size of 3/4" x 3 1/4").



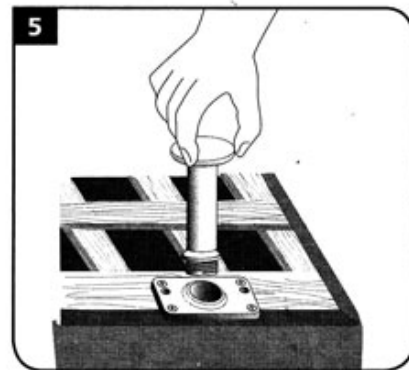
Before drilling, pick the set of screw holes you will use by measuring the width of your boxspring rail. If your rails are an actual width of 3/4" x 3 1/4", use the outside holes [C]. The side with the single set of holes [A] always faces the outside edge of the bedframe. If your rails are less than an actual width of 3/4" x 3 1/4", use the inside set of screw holes [B]. Always use the outside screw holes [A].



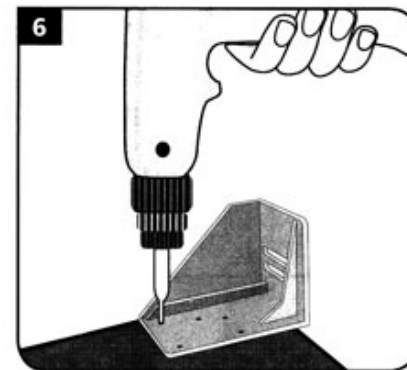
Using the above diagram, determine the number and placement of the Bedlegs for your bed size. If bed size is a full XL, refer to instructions for placement of Bedlegs on reverse side of these instructions.



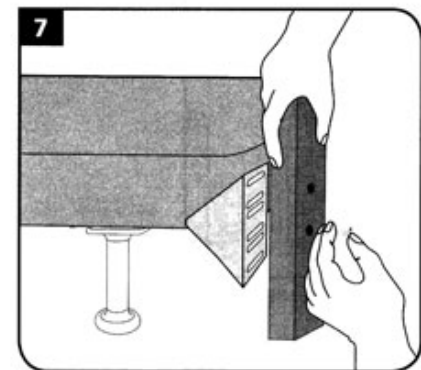
Using a power screwdriver, mount the plate to the boxspring using the supplied hardware. **Use only 4 screws per plate.**



Hand twist the threaded leg stem into the base plate.



Bedlegs headboard brackets easily attach to most headboards. Using a power screwdriver, install the headboard bracket with the supplied hardware directly to the boxspring. **Use only 4 screws per plate.**



To complete installation, simply bolt the headboard onto the bracket. **Screws are not provided to attach the headboard bracket to the headboard.**